



# Installation Guide

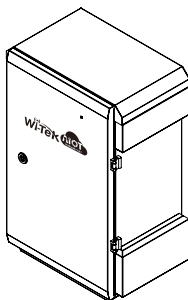
Smart IoT Box

WI-IOTBOX01 | WI-IOTBOX02

# 1. Package Contents



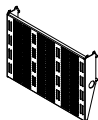
4 x Waterproof Cable Gland



1 x Smart IoT Box



1 x Fan

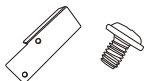


3 x Mounting Plate  
(only for WI-IOTBOX02)



1 x Triangle Lock Key

Micro Switch Bezel Kit



1 x Micro Switch Bezel, 4 x Screw



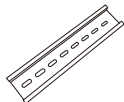
1 x Circuit Breaker



1 x Quick Installation Guide

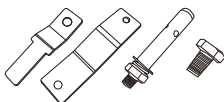


1 x Grounding Strip



2 x Contact DIN-rail

Wall Mounting Accessories Kit



2 x Hanging Piece (Small), 2 x Hanging Piece (Large)  
4 x Hex(agonal) Screw, 4 x Expansion Screw

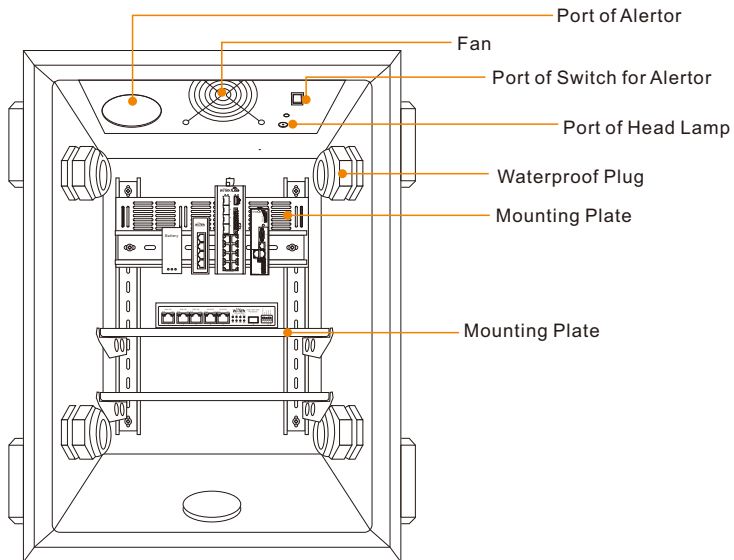
Pole Mounting Accessories Kit



2 x 1.2m Stainless Steel Cable Tie  
2 x Stainless Steel Universal Clip

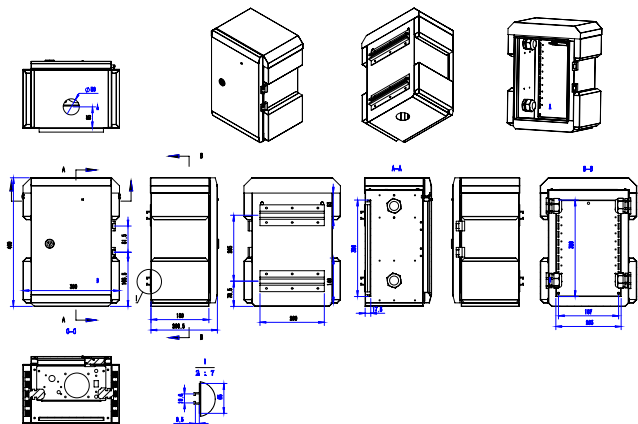
## 2. Hardware Introduction

### 2.1 Take WI-IOTBOX02 as an example

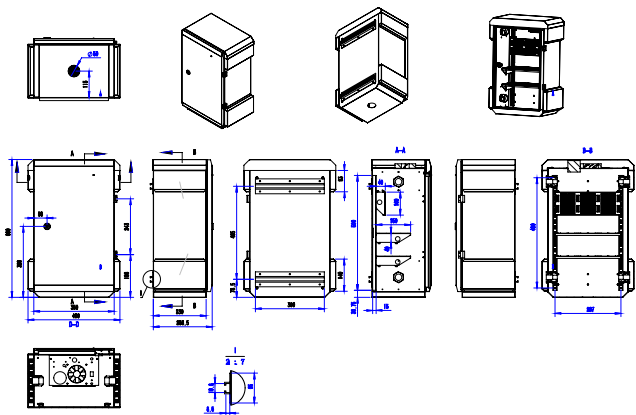


### 3. Structure diagram

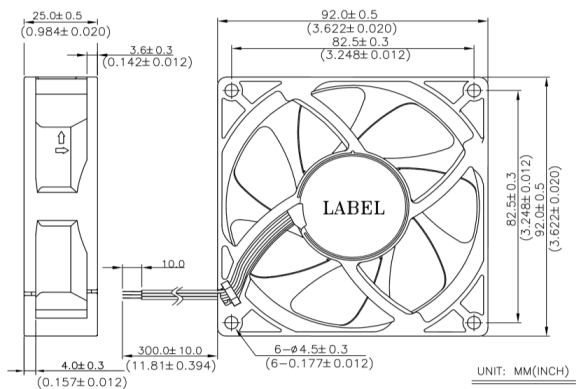
#### 3.1 WI-IOTBOX01



#### 3.2 WI-IOTBOX02

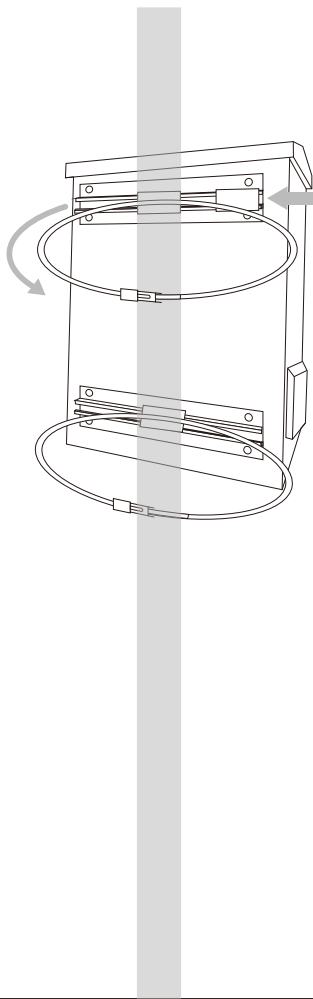


### 3.3 Fan

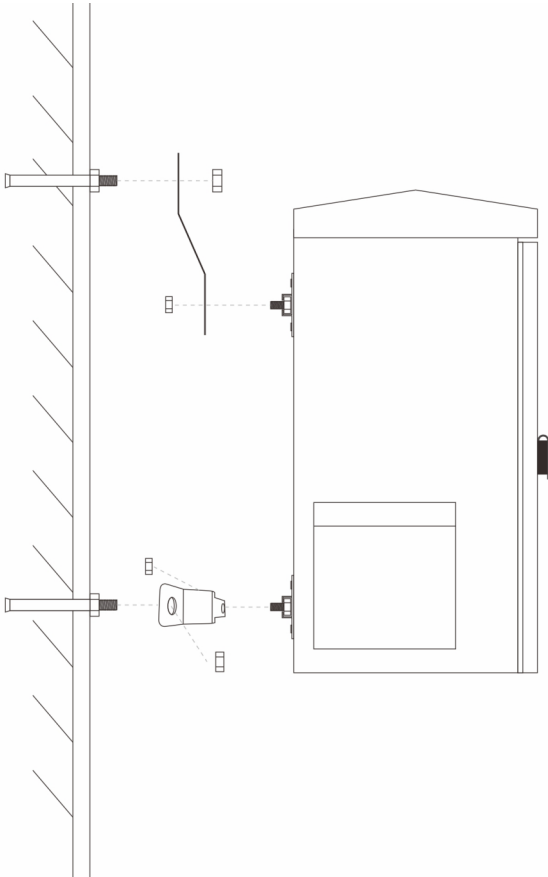


## 4. Installation

### 4.1 Pole-Mount

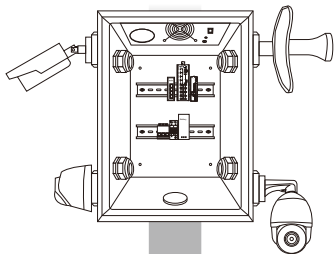


## 4.2 Wall-Mount

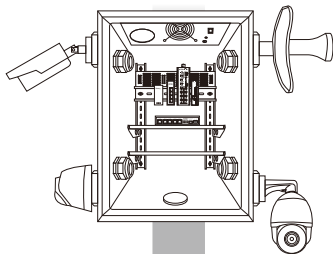


## 5. Application

Control Center



Control Center

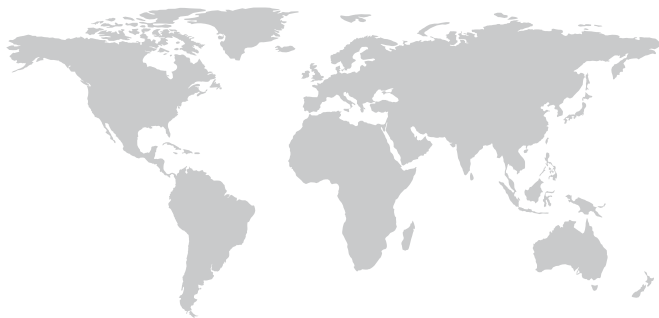




## Warranty Card

|                          |  |
|--------------------------|--|
| <b>Username</b>          |  |
| <b>Address</b>           |  |
| <b>Telephone No.</b>     |  |
| <b>Purchase Shop</b>     |  |
| <b>Purchase Address</b>  |  |
| <b>Product Model No.</b> |  |
| <b>Purchase Time</b>     |  |
| <b>Serial No.</b>        |  |
| <b>Dealer Signature</b>  |  |

- If the product defects within three months after purchase, we will provide you a new product of the same model.
- If the product defects within the three-year warranty period, we will provide the professional maintenance service.
- Proof of purchase and a complete product serial number are required to receive any services guaranteed as part of the limited warranty.
- Any other defects that are not caused by workmanship or product quality, such as natural disaster, water damage, extreme thermal or environmental conditions. sticker damaged, warranty card losing will disqualify the product from limited warranty.



**WIRELESS-TEK TECHNOLOGY LIMITED**

Address: Biaofang Technology Building 402, Bao'an street,

Baoan District, Shenzhen City, Guangdong, China

Website: [www.witek-iiot.com](http://www.witek-iiot.com)

Tel: 86-0755-32811290

Email: [sales@witek-iiot.com](mailto:sales@witek-iiot.com)

Design Industrial IoT for Smarter and More Connected



Technical Support



Company Website