

Digital 8-channel Optical Isolated Wet Contact I/O Input Module

WI-IOT5108W

Overview

The WI-IOT5108W opto-isolated data parallel I/O controller is an 8-bit, 8-channel data input module, with each data input channel resembling several computer interfaces. The module can be remotely controlled by a series of commands via Modbus-RTU protocol, and the module and the host computer communicate via RS-485/232 serial bus using command data. The communication baud rate is software settable and can reach a maximum transmission rate of 115,200bps.

(analog-to-digital-to-analog converters, stepper motor control, etc.).

Technical Parameters

- Input channels: 8 channels
- Communication protocol: Modbus-RTU
- Baud rate: 1200/2400/4800/9600/19200/38400/57600/115200bps
- Data format: 1, 8, N, 1
- Address range: 1~247
- Communication interface: RS485/232
- Supply voltage: 9 ~ 30V DC
- Operating current: 300mA@9V max
- Opto-isolated voltage input: 0 ~ 24V
- Support wet and dry node input
- Isolation voltage: 2500V DC
- Operating temperature: -40 ~ 85°C
- Storage temperature: -40 ~ 85°C
- Relative Humidity: 5 ~ 95%RH, non-condensing



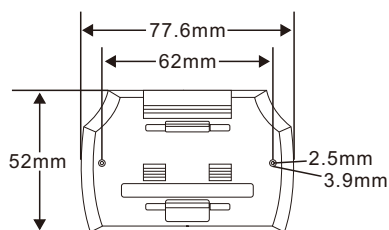
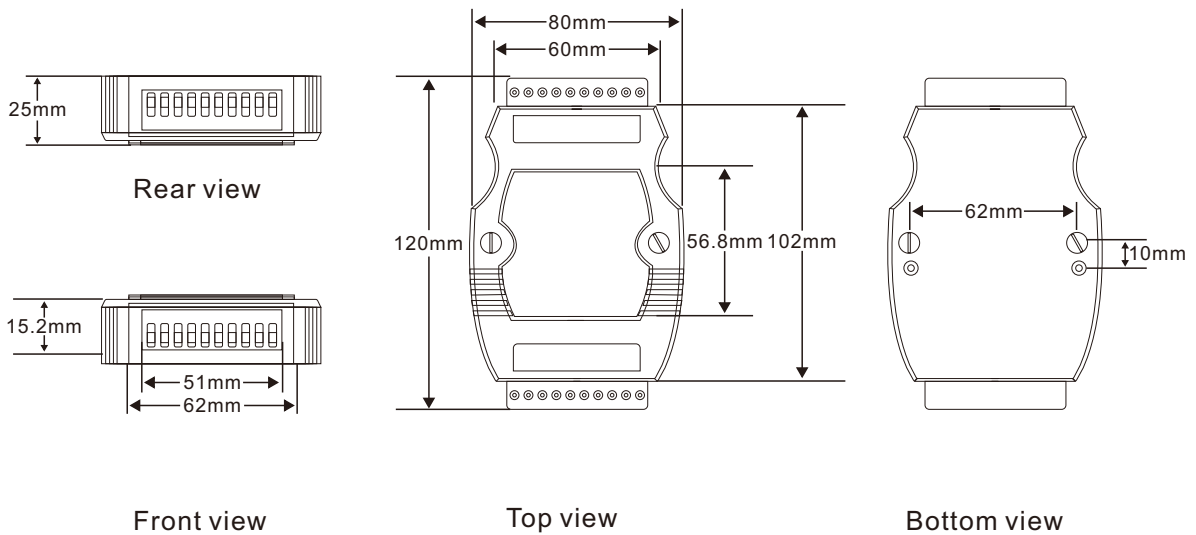
Indicator light

- PWR: Red, power indicator; long light when power supply is normal.
- TXD: Green, communication indicator; when the serial port sends data to the outside, the indicator is on, and goes off when the sending is finished.
- RXD: Yellow, communication indicator; when the serial port receives data, the indicator is on, and off when the reception is completed.

Pin Definition

| Interface Name | Description | Interface Name | Description |
|----------------|---------------------------|----------------|----------------------|
| GND | Common Ground | COM | Voltage input common |
| VCC | Power input positive | COM | Voltage input common |
| DATA- | Rs485 B-terminal/RS232 RX | IN1 | Voltage input 1 |
| DATA+ | Rs485 A terminal/RS232 TX | IN2 | Voltage input 2 |
| RESET | Reset | IN3 | Voltage input 3 |
| GND | Signal Ground | IN4 | Voltage input 4 |
| NC | Hanging | IN5 | Voltage input 5 |
| NC | Hanging | IN6 | Voltage input 6 |
| NC | Hanging | IN7 | Voltage input 7 |
| NC | Hanging | IN8 | Voltage input 8 |

Structure Dimensions



Din-rail mounting

CE FC RoHS



WIRELESS-TEK TECHNOLOGY LIMITED

Website: www.witek-iiot.com

Email: sales@witek-iiot.com

Design Industrial IoT for Smarter and More Connected



Technical Support



Company Website