

Digital 8-Channel Optical Isolated Dry Contact I/O Input Module

WI-IOT5108D

Overview

The WI-IOT5108D opto-isolated data parallel input I/O controller is an 8-bit, 8-channel isolated switching input. All switching inputs are simply COM and IN1 shorted, or COM and IN1-8 can be connected.

Technical Parameters

- Operating power supply: 9-30VDC/350mA
- Isolation voltage: 2500V rms
- Electrical interface : Ten bit terminal block
- Dimension : 120mm×80mm×25mm
- Operating temperature: -25 ~ 70°C
- Relative humidity from 5 ~ 95%
- RS-485 interface (RS-232 optional), support MODBUS-RTU



Hardware definition and initial definition

- Connector allocation

The controller is using 10-position terminal blocks as input and output connectors, with the following pin assignments.

Notes.

- GND: Common ground
- VCC: DC9--30V power input operating current:350mA
- DATA-: Communication interface (RS232, data reception, RS485/RS485-)
- DATA+: Communication interface (RS232, data reception, RS485/RS485)
- RESET: reset
- COM: Switching input common
- IN1/IN2/IN3/IN4/IN5/IN6/IN7/IN8 Switching inputs
- NC: empty

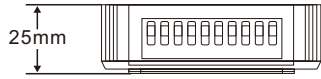
CN1:
Connection socket 1

CN2:
Connection socket 2

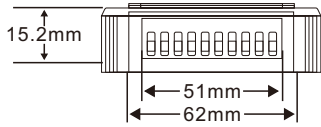
GND	10
VCC	9
DATA-	8
DATA+	7
RESET	6
GND	5
NC	4
NC	3
NC	2
NC	1

COM	10
COM	9
IN1	8
IN2	7
IN3	6
IN4	5
IN5	4
IN6	3
IN7	2
IN8	1

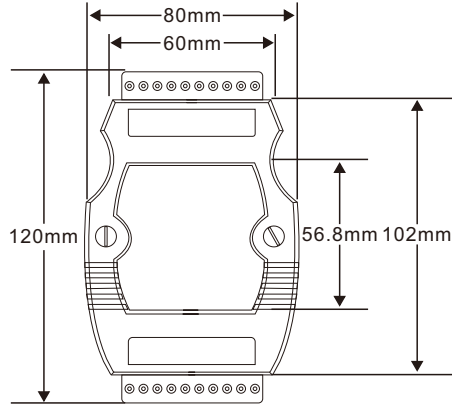
Structure Dimensions



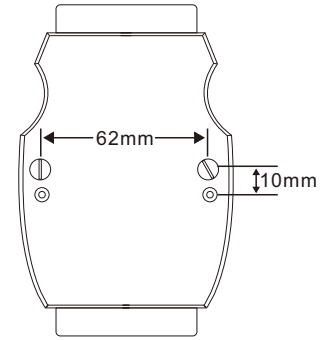
Rear view



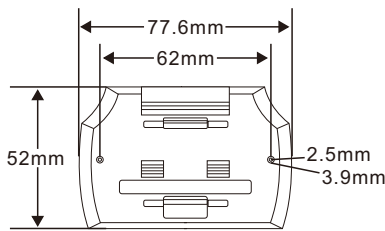
Front view



Top view



Bottom view



Din-rail mounting

CE FC RoHS



WIRELESS-TEK TECHNOLOGY LIMITED

Website: www.witek-iiot.com

Email: sales@witek-iiot.com

Design Industrial IoT for Smarter and More Connected



Technical Support



Company Website