

Digital 4-ch Opto-electronic Isolation input, 4-ch Relay Output I/O Controller

WI-IOT5104A

Overview

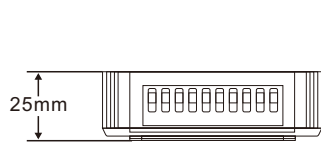
UT-5104A opto-electronic isolation data parallel I/O controller is an 8-bit, 4-channel data input and 8-bit, 4-channel data output, with each data input or output channel resembling several computer interfaces. The module can be remotely controlled by a series of commands via Modbus-RTU protocol, and the module communicates with the host by command data via RS-485 serial bus. The communication baud rate is software-configurable and the maximum transmission rate is up to 115200bps.

Technical Parameters

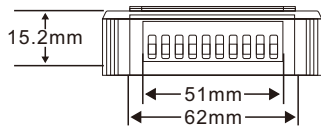
- Output: 4-ch
- Input: 4-ch
- Communication protocol: Modbus-RTU
- Baud rate: 1200/2400/4800/9600/19200/38400/57600/115200bps
- Data format: 1, 8, N, 1
- Address range: 1~247
- Port: RS485
- Power supply voltage: +9 ~ +30V DC
- Operating current: 300mA@9V max
- Isolated voltage input: 0 ~ 24V
- Isolated voltage: 2500V DC
- Max. contact capacity: 62.5 VA, 60 W
- Operating temperature: -40°C ~ +85°C
- Storage temperature: -40°C ~ +85°C
- Relative Humidity: 5% ~ 95%RH, non-condensation



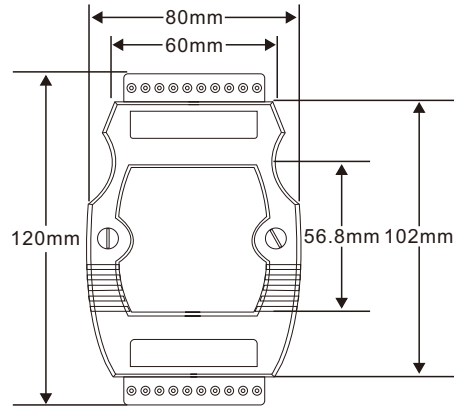
Structure Dimensions



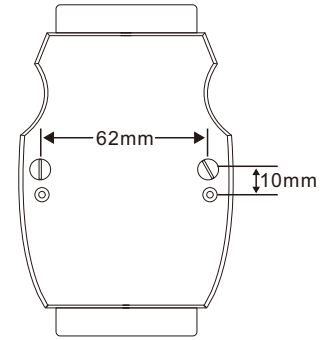
Rear view



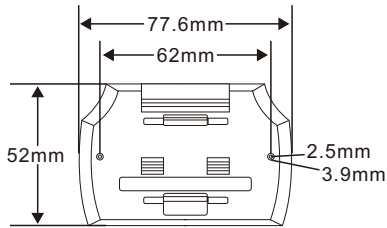
Front view



Top view



Bottom view



Din-rail mounting

CE FC RoHS



WIRELESS-TEK TECHNOLOGY LIMITED

Website: www.witek-iiot.com

Email: sales@witek-iiot.com

Design Industrial IoT for Smarter and More Connected



Technical Support



Company Website